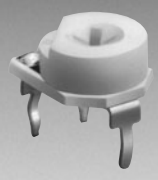


\*RoHS COMPLIANT



**BOURNS®**

**Features**

- 9 mm Round / Single Turn / Carbon Commercial / Open Frame
- Both sides adjust
- Cross slot and hexagon adjustment designs
- Horizontal and vertical mounting styles
- Dust resistant/splash resistant covers
- PC board stand-offs and retention feature
- RoHS compliant\*

**3319 - 9 mm Round Trimming Potentiometer**

**Electrical Characteristics**

Standard Resistance Range .....100 to 1 megohm  
 (see standard resistance table)  
 Resistance Tolerance .....±25 % std.  
 End Resistance .....2 % max. (≤2K = 30 ohms)  
 Contact Resistance Variation .....3 % max.  
 Resolution.....Infinite  
 Adjustment Angle .....235 ° nom.

**Environmental Characteristics**

Power Rating (200 volts max.)  
 70 °C.....0.2 watt  
 Temperature Range .....-25 °C to +100 °C  
 Temperature Coefficient .....±1000 ppm/°C  
 Load Life .....1,000 hours 0.2 watt @ 70 °C  
 (<100K = +3/-7 % ΔTR)  
 (≤100K = +3/-10 % ΔTR)

**Physical Characteristics**

Torque (Operating) .....5 oz-in. max.  
 Stop Strength .....11.0 oz-in. min.  
 Terminals .....Solderable pins  
 Marking .....Manufacturer's trademark, resistance code  
 Standard Packaging .....200 pcs. per bag  
 Adjustment Tool .....H-90

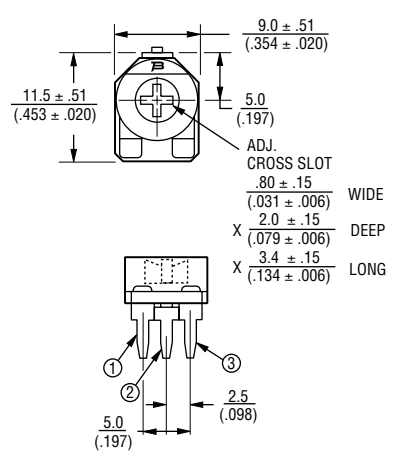
Aqueous cleaning not recommended

**How To Order**

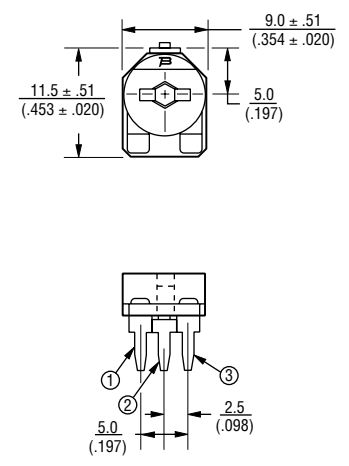
**3319 W - 2 - 103**

Model \_\_\_\_\_  
 Pin Style \_\_\_\_\_  
 Rotor Style \_\_\_\_\_  
 -1 = Standard  
 -2 = Cross Slot/Single Slot Rear Adjust  
 -3 = 2mm Hex Thru Hole  
 Resistance Code \_\_\_\_\_

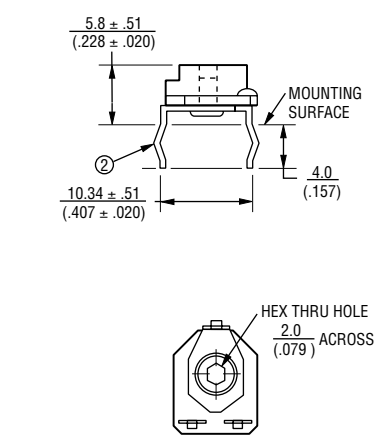
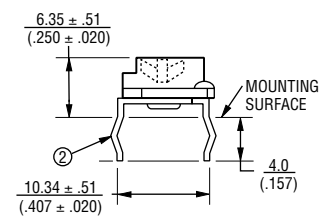
**3319P Common Dimensions**



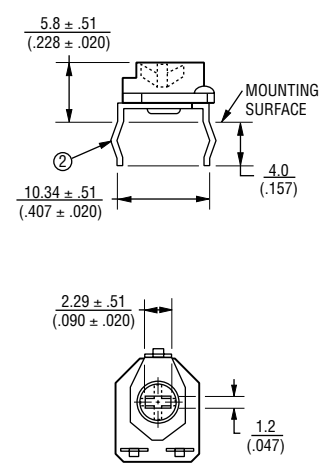
**3319P-3 Both Sides Adjust/Hex**



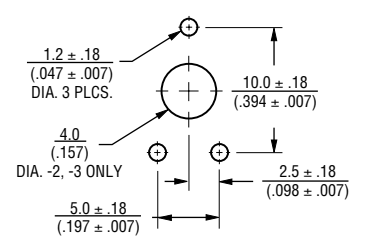
**3319P-1 Top Adjust**



**3319P-2 Both Sides Adjust/Cross Slot**



**SUGGESTED PWB LAYOUT - 3319P**



TOLERANCES: ± 0.25 (.010) EXCEPT WHERE NOTED

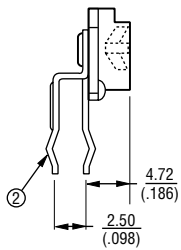
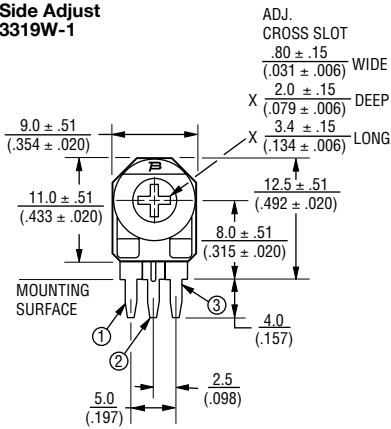
DIMENSIONS ARE:  $\frac{\text{MM}}{\text{(INCHES)}}$

\*RoHS Directive 2002/95/EC Jan 27 2003 including Annex. Specifications are subject to change without notice. Customers should verify actual device performance in their specific applications.

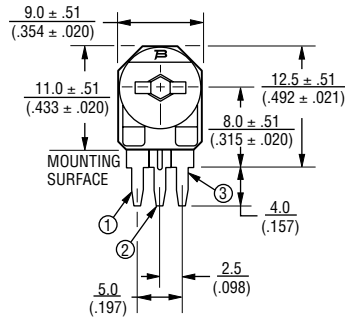
# 3319 - 9 mm Round Trimming Potentiometer

**BOURNS®**

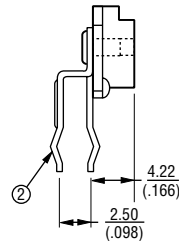
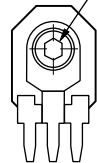
## Side Adjust 3319W-1



## 3319W-3 Both Sides Adjust/Hex



HEX THRU HOLE  $\frac{2.0}{(.079)}$  ACROSS FLATS

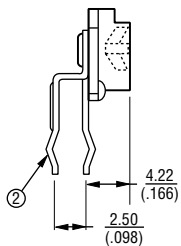
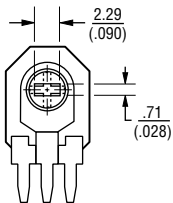


## Standard Resistance Table

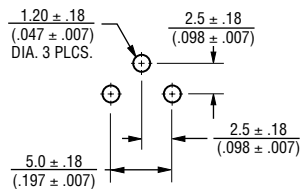
Resistance (Ohms)	Resistance Code
<b>100</b>	<b>101</b>
<b>200</b>	<b>201</b>
<b>500</b>	<b>501</b>
<b>1,000</b>	<b>102</b>
<b>2,000</b>	<b>202</b>
<b>5,000</b>	<b>502</b>
<b>10,000</b>	<b>103</b>
<b>20,000</b>	<b>203</b>
<b>50,000</b>	<b>503</b>
<b>100,000</b>	<b>104</b>
200,000	204
500,000	504
1,000,000	105

Popular distribution resistance values listed in boldface.

## 3319W-2 Both Sides Adjust /Cross Slot



## SUGGESTED PWB LAYOUT - 3319W



TOLERANCES: ± 0.25 (.010) EXCEPT WHERE NOTED

DIMENSIONS ARE:  $\frac{\text{MM}}{(\text{INCHES})}$

